



COPPER & FIBER CABLES ... Get Connected, *RIGHT* on Time!

N0303 Series Single or Multimode Plug Style Attenuators

CABLCON Singlemode and Multimode Plug Style Attenuators provide high optical performance that is critical to today's networking systems.

The product will perform over a wide bandpass for existing Multimode, S and C bands and even into the future L band.

Specifications:

- Attenuation Values (Singlemode):
Attenuation \pm 0.50dB for 1dB through 10dB
Attenuation \pm 0.75dB for 10dB through 15dB
Attenuation \pm 10% for 16 – 30dB
- Uniformity (Singlemode):
< 0.50dB attenuation difference from 1310nm to 1550nm
- Attenuation Values (Multimode):
Attenuation \pm 0.50dB for 1 - 5dB
Attenuation \pm 0.75dB for 6 - 10dB
Attenuation \pm 10% for 11 – 20dB
- Return Loss (Singlemode):
UPC > 55dB *For ST > 50dB
APC > 65dB
- Durability:
500 matings < 0.2dB x Attenuation
- Temperature Cycling:
-40~ + 80°C (42 cycles)
< 0.2dB x Attenuation
- Humidity Cycling:
75°C, 95% / 336Hr
< 0.2dB x Attenuation
- Vibration:
10~55Hz (2Hr) < 0.2dB x Attenuation
- Impact:
1.5m drop, 8 cycles
< 0.02dB x Attenuation

Overview:

- Fixed Attenuation values of 1 through 25dB and 30dB
- Singlemode operates over a wide Bandpass of 1260~1600nm (Dual Window)
- Optical performance 100% factory tested
- UPC, and APC available for Singlemode
- Singlemode – Polarization insensitive, doped fiber
- Multimode utilizes offset fusion splice
- Meets Telcordia GR-CORE 326 and 910
- SC – FC – ST – LC - MU

Applications:

- LAN, WAN & Metro Networks
- Telecommunication Networks
- Passive Optical Networks
- Test & Measurement Systems



Atlanta • Dallas • Detroit • Washington D.C.
Corporate Offices: 359 Robbins Drive Troy, MI 48083-4561 Phone: 888.8.CABLCON • Fax 248.588.1462
<http://www.cablcon.com>





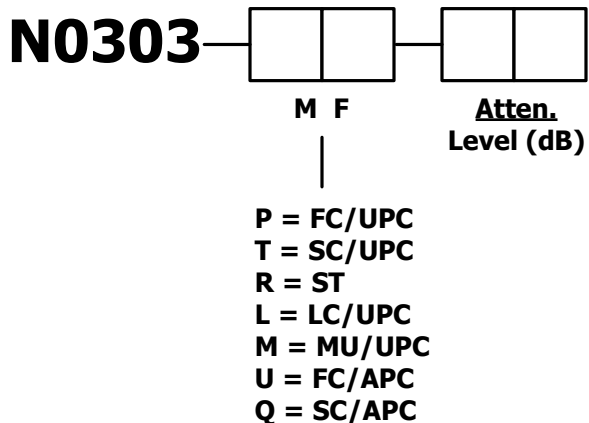
CABLCON

COPPER & FIBER CABLES ... Get Connected, *RIGHT* on Time!

N0303 Series Variable Optical Attenuator Patchcords

PART NUMBER ORDERING INFORMATION

Singlemode:

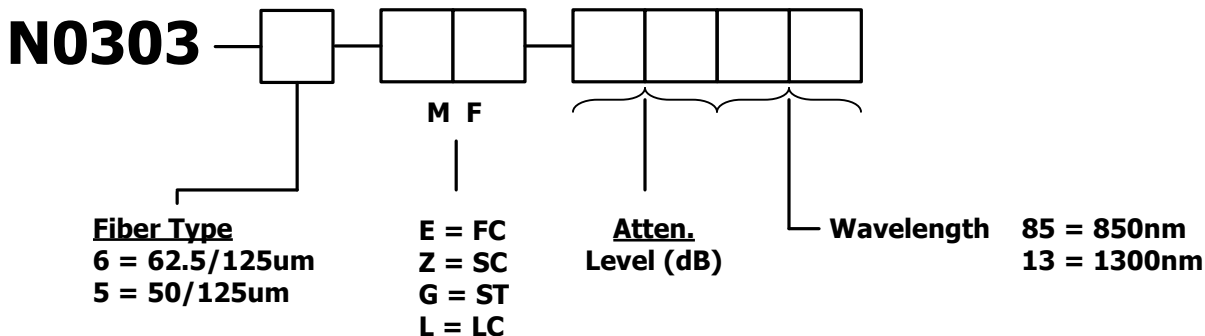


Example:

An FC Male to FC Female, 5dB = 77-PP-05

*Note, for ST Attenuators requiring 55dB Back Reflection, please add -55 to the end of the part number

Multimode:



Example:

An FC Male to FC Female, 5dB utilizing 62.5/125um fiber at 850nm wavelength = 79-6-EE-0585

